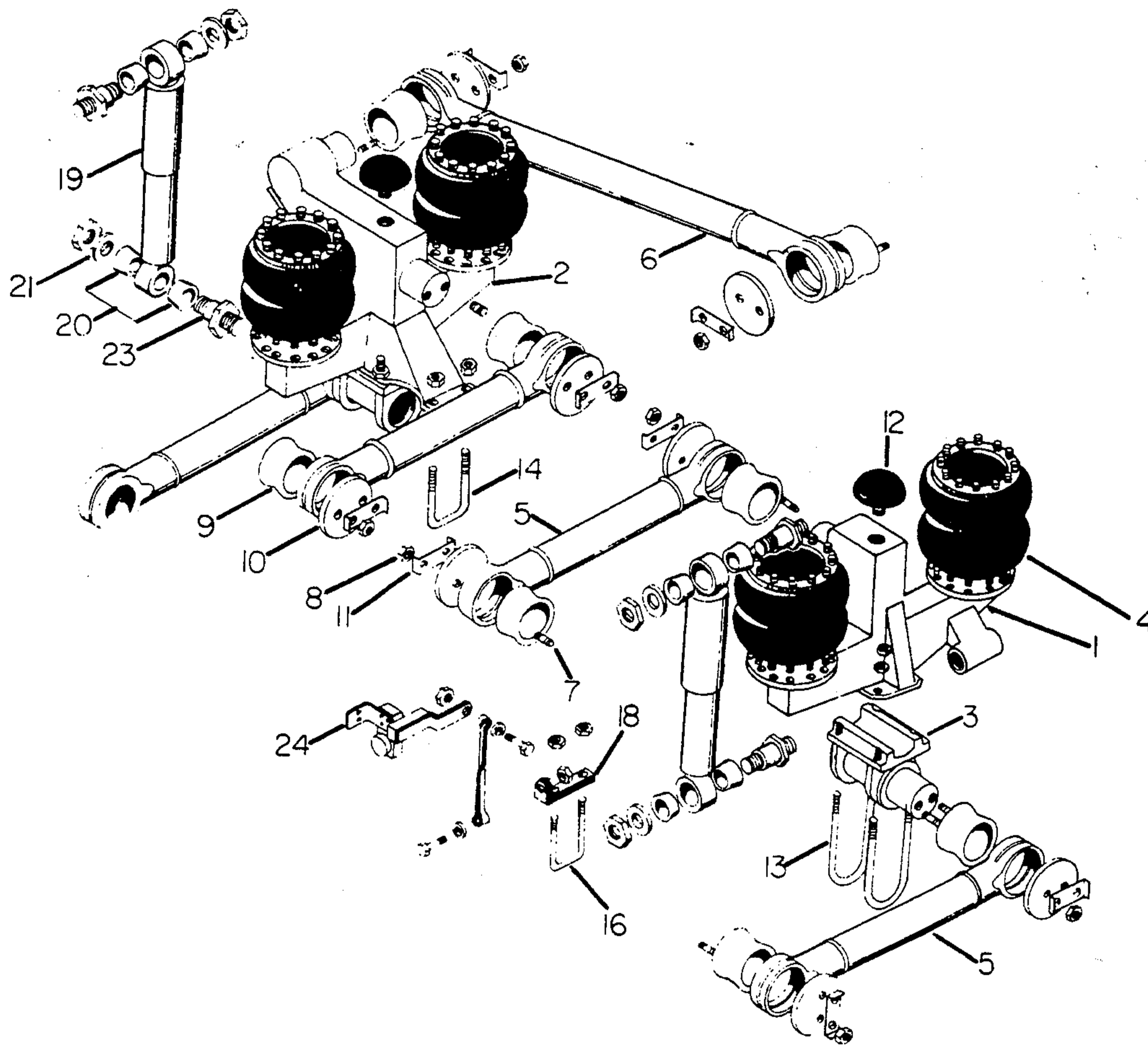


# MC-9 PARTS MANUAL

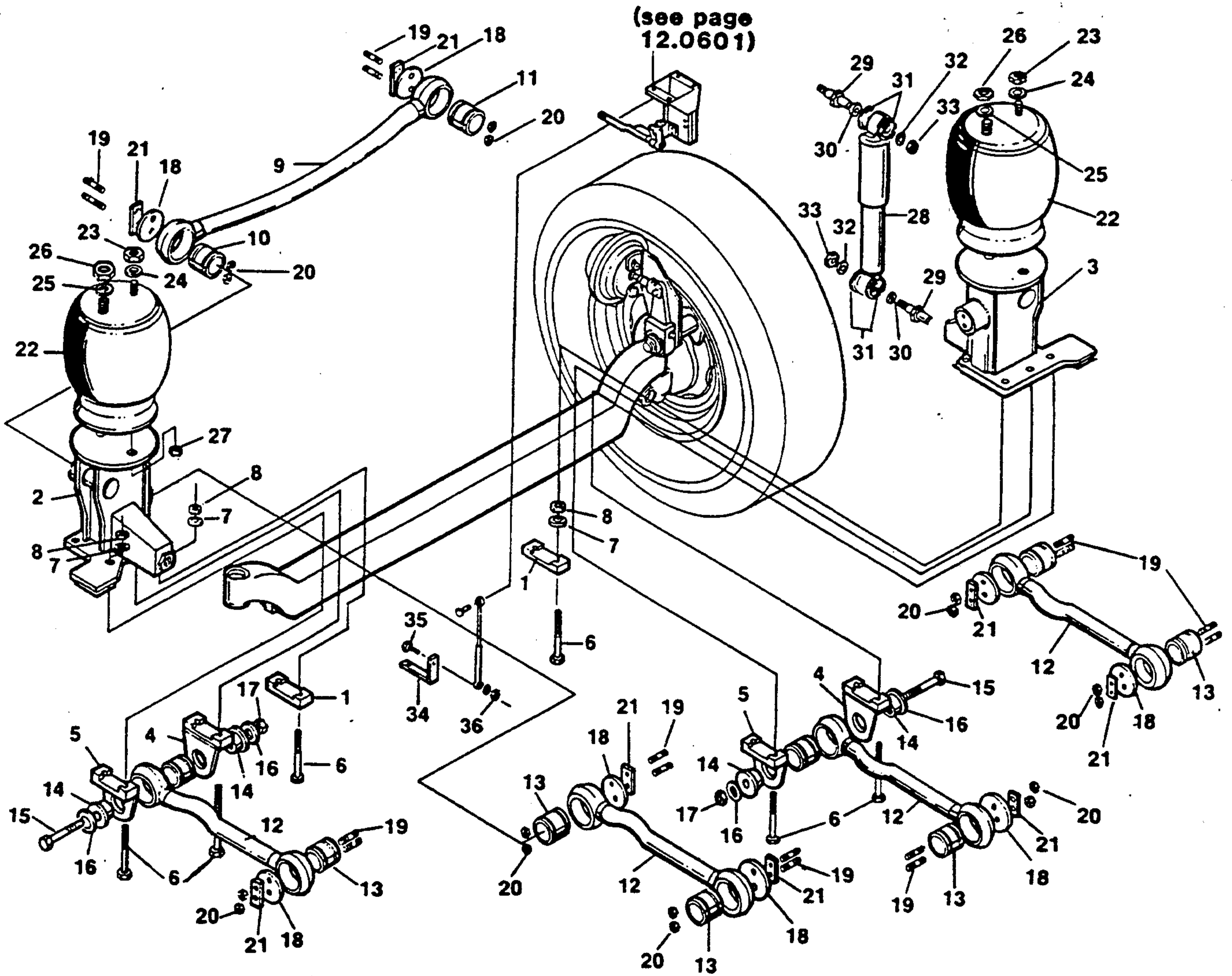


KEY	PART NUMBER	DESCRIPTION	NOTE	QTY.
		<u>FRONT SUSPENSION</u>	a	
1	12R-1-11	Suspension Support Assembly - L.H. Front		1
2	12R-1-12	Suspension Support Assembly - R.H. Front		1
	12R-1-13	Shim - Between Axle Saddles & Axles		A.R.
3	12R-1-1	Saddle S/A - L.H. & R.H.		2
4	12C-1-36	Bellows - Front Suspension		4
	12-1-201	Bead Ring		2
	12-1-203	Bolt - Bellows Attaching		16
	19-2-26	Lock Washer - 5/16"		16
	19-3-15	Nut - 5/16" - 24		1
	12C-1-35	Bellows Only		4
5	12C-1-37	Radius Rod - Upper & Lower		4
6	12C-1-38	Radius Rod - Lateral, Standard Length		1
	12G-1-6	Radius Rod - Lateral, Short		1
7	12-1-207	Stud - Radius Rod Pins		20
8	19-3-109	Nut - Radius Rod Studs		20
	19-1-785	Cap Screw - Radius Rod Pin		20
9	12-1-206	Bushing - Radius Rod, Firestone		10
10	12-1-208	Washer - Radius Rod Pins		10

# MC-9 PARTS MANUAL

KEY	PART NUMBER	DESCRIPTION	NOTE	QTY.
		<u>FRONT SUSPENSION CONT'D</u>		
11	12-1-211	Lock Strap - Radius Rod Nuts		10
12	12-1-256	Rubber Bumper		2
13	12-1-209	"U"-Bolt - Front Suspension		4
14	12C-1-12	"U"-Bolt - Front Axle Bracket		1
15	19-3-108	High Nut - "U"-Bolt		10
	19-3-112	Jam Nut		1
16	12C-1-22	"U"-Bolt - Front Leveling Valve		1
	19-3-16	Nut - "U"-Bolt, 3/8" - 24		2
18	12C-1-25	Bracket - "U"-Bolt Retainer		1
19	12B-5-1	Shock Absorber		2
20	12-5-123	Bushing - Shock Absorbers		8
21	12A-1-101	Washer - Shock Mounting Front & Rear Axle		4
	19-3-249	Nut - Shock Mounting, Front & Rear Axle, 7/8" - 14		2
23	12B-1-21	Pin - Shock Absorber Mounting Front		4
24	12A-3-44	Bracket S/A - Front Leveling Valve Mounting		1
	12R-1-13	Shim - Between Axle Saddles & Axle		A.R.

# MC-9 PARTS MANUAL



FRONT SUSPENSION - MC9

# MC-9 PARTS MANUAL

KEY	PART NUMBER	DESCRIPTION	NOTE	QTY.
		<u>FRONT SUSPENSION - MC9</u>	b	
1	12J-1-14	Base		2
2	12J-1-69	Bracket Assy, Transverse & RH Upper Radius Rod	b,c	1
	12K-1-18	Front Suspension Support Assy - RH	d,e	1
	12J-5-8	Pin - Shock Mtg		1
	12J-1-69	Bracket - Lateral & RH Radius Mtg		1
	12J-1-85	Tube & Pin S/A - Lateral Rod		1
	12K-1-27	Front Suspension Support - RH	f	1
	12K-1-28	Bracket Assy - RH Support		1
	12J-1-85	Tube & Pin S/A - Lateral Rod		1
	12J-1-87	Pin & Tube S/A - Upper Radius Rod		1
	12J-5-8	Pin - Shock Mtg		1
3	12J-1-53	Bracket Assy, LH Upper Radius Rod & Air Spring	b,c	1
	12K-1-17	Front Suspension Support Assy - LH	d,e	1
	12J-1-68	Pin - Shock Mtg		1
	12J-1-53	Bracket - LH Upper Radius Rod Mtg		1
	12J-1-95	Tube - Jack HD Retention		1
	12J-1-86	Tube & Pin S/A - Upper Radius Rod		1
	12K-1-25	Front Suspension Support - LH	f	1
	12K-1-26	Bracket Assy - LH Support		1
	12J-1-86	Pin & Tube S/A - Upper Radius Rod		1
	12J-5-8	Pin - Shock Mtg		1
4	12J-1-64	Bracket Assy, RH Lower Radius Rod	e	2
5	12J-1-65	Bracket Assy, LH Lower Radius Rod	e	2
6	19-1-1048	Capscrew 5/8-18 x 7 1/2		12
7	11J-1-4	Flatwasher 5/8		12
8	11J-1-5	Hex Nut, Stover 5/8-18		12
9	12J-1-82	Radius Rod, Traverse	b,e	1
10	12J-1-35	Bushing		1
11	12J-1-26	Bushing		1
	12J-1-138	Radius Rod - Lateral (Traverse)	f	1
12	12J-1-81	Radius Rod Assy, Upper & Lower	b,e	4
13	12J-1-26	Bushing		2
	12J-1-134	Radius Rod - Front Upper & Lower	f	4
	12K-1-29	Bracket - Lower Radius Rod	f	4
14	12J-1-29	Bushing		4
15	12J-1-30	Capscrew Hex 1-14 x 5 1/2		2
16	12J-1-31	Flatwasher 1"		4
17	12J-1-32	Hex Nut, Stover 1-14		2
18	12-1-208	Washer, Radius Rod		8
19	12-1-207	Stud, Radius Rod		16
20	19-3-109	Hex Nut, 3/4-16		16
21	12-1-211	Lockstrap		8
22	12G-1-60	Air Spring		2
23	19-3-188	Hex Nut, Lock 1/2-13		6
24	19-2-10	Flatwasher 1/2		6
25	19-2-12	Flatwasher 3/4		6
26	19-3-7	Hex Nut, Lock 3/4-16		2
27	19-3-152	Hex Nut, Lock 1/2-20		6

# MC-9 PARTS MANUAL

KEY	PART NUMBER	DESCRIPTION	NOTE	QTY.
		<u>FRONT SUSPENSION - MC-9 CONT'D</u>		
	12L-5-3	Shock Assy - Front		1
	12L-5-2	Bushing - Shock	f	4
28	12B-5-1	Shock Absorber		2
29	12J-1-68	Pin, Shock Mtg	b,e	2
30	12J-3-106	Washer, Shock Mtg		4
31	12J-5-5	Bushing	b,e	4
32	12J-3-105	Washer, Shock Mtg		4
33	19-3-7	Hex Nut, Lock 3/4-16		4
34	12J-1-92	Bracket, Mtg. Front Leveling Valve Link	b,e	1
	12K-1-16	Bracket - Mtg Front Height Control	f	1
35	12C-1-22	Bolt, Mtg Link Brkt to Axle	e	2
36	19-3-16	Nut, Mtg Link Brkt to Axle	e	2
	12K-1-52	U-Bolt - Height Control Bracket	f	1
	19-3-5	Locknut - Hex	f	2
	12-1-256	Rubber Bumper		2
	7C-3-12	Nut		2
		a. Used Prior To MCI Unit #41089		
		b. Effective With MCI Unit #41089		
		c. Used Prior To MCI Unit #42273		
		d. Effective With MCI Unit #42273		
		e. Used Prior To MCI Unit #42945		
		f. Effective With MCI Unit #42945		